

Swann Technical Support

All Countries E-mail: tech@swann.com.au

Telephone Helpdesk

UNITED STATES toll free

877-274-3695

(Sun-Thurs, 2pm-10.30pm PST)

800-627-2799

(Mon-Fri, 9am-1pm PST)

USA Exchange & Repairs

562-777-2551

(Mon-Fri, 9am-5pm PST)

AUSTRALIA toll free

1300 13 8324

(Mon-Fri, 9am-5.30pm Aus EST)

International

+61 3 8412 4610

(Mon-Fri, 9am-5.30pm Aus EST)

See <http://www.worldtimeserver.com> for information on different time zones and the time in Melbourne Australia compare to your local time.

Warranty Information

Swann Communications warrants this product against defects in workmanship and material for a period of one (1) year from its original purchase date. You must present your receipt as proof of date of purchase for warranty validation. Any unit which proves defective during the stated period will be repaired without charge for parts or labour or replaced at the sole discretion of Swann. The repair or replacement will be warranted for either ninety days or the remainder of the original one year warranty period, whichever is longer. The end user is responsible for all freight charges incurred to send the product to Swann's repair centres. The end user is responsible for all shipping costs incurred when shipping from and to any country other than the country of origin. The warranty does not cover any incidental, accidental or consequential damages arising from the use of or the inability to use this product. Any costs associated with the fitting or removal of this product by a tradesman or other person or any other costs associated with its use are the responsibility of the end user. This warranty applies to the original purchaser of the product only and is not transferrable to any third party.

Unauthorised end user or third party modifications to any component or evidence of misuse or abuse of the device will render all warranties void.



www.swannsecurity.com



English

Advanced Color Quad Processor 4 Channel Quad with Remote Control



Swann Helpdesk
Has the answers



**If this device does not work when you first plug it in,
do not take it back to the store.**



Contact the Swann Helpdesk using our fast e-mail service tech@swann.com.au or call us on one of the Toll-Free numbers shown on the back cover of this booklet.



Most problems can be quickly and easily fixed with a simple e-mail or a quick chat with one of our friendly technical staff. (Toll-Free available in the US and Australia only)

Installation Guide

Contents

Introduction	2
Your Color Quad package comes with	2
Simple Connection Instructions	3
Operation - Front Panel	4
Operation - Rear Panel	5
Menu Screens	6
Technical Specifications	7
Warranty Information	Back Cover
Help Desk / Support Details	Back Cover

Introduction

The Swann Quad Processor is a low cost, convenient security solution for monitoring up to four areas in your home or business at once. Simply connect up to four security cameras to the Swann Quad Processor and view them on any AV TV, VCR or Swann security monitor and you can keep an eye on all the important areas from one central location!

Choose between a quad screen (4 cameras at once), split screen, picture in picture or see each camera view individually in full screen. The Swann Quad Processor also features an auto-switch function allowing you to scan between all camera views (including the split screen) with a user definable pause on each screen.

Your Color Quad package comes with

- 1 x Color Quad Processor
- 1 x 12Volt Power Adaptor (design may vary between countries)
- 5 x BNC Male to RCA Female adaptors
- 1 x IR Remote Control
- 1 x Video Cable
- This Instruction Sheet

If any of these items are missing, please contact your retailer.

FCC NOTICE

This device complies with Part 15 of FCC Rules.

Operation is subject to the following conditions:

- (1) This device may not cause harmful interference, and
- (2) This device must accept any interference received, including interference that may cause undesired operation.

Technical Specifications

Refresh Rate	NTSC/60frames/sec, PAL/50 frames/sec
Resolution	NTSC: 720 x 480, PAL: 720 x 576
Video System	PAL or NTSC switchable
Video Input	1.0Vp-p/75 ohms
Video Output	1.0Vp-p/75 ohms
Power Source	12Volt
Operation Temperature	14°F ~ 122°F / -10°C ~ 50°C
Dimensions (H x W x D)	1.29 x 5.7 x 4.72 (inches) / 33 x 145 x 120 (mm)
Weight	0.88 pounds / 400 grams
Ports	Camera In x 4 - BNC Female VCR In x 1 - BNC Female VCR Out x 1 - BNC Female Monitor Out x 1 - BNC Female

FCC Notice

We, Swann Communications of 10612 Shoemaker Avenue, Bldg A, Santa Fe Springs, CA 90670 USA, declare under our sole responsibility that the product:

SW247-QP4

This product meets the requirements specified in Part 15 of FCC Regulation. Operation rests with the following two conditions:

- (1) The equipment should not cause any harmful interference;
- (2) The equipment must receive and process any interference, including any possible interference caused by operation mistakes. After testing the product, we confirm that it complies with the provision for class C digital equipment in the 15th part in FCC regulation; and the receiver complies with the limitations for class B digital equipment in Part 15 of FCC regulation. The product generates, applies and emits radio waves. It might cause harmful interferences to wireless communication if not be installed and used following the description of the manual. The product may cause interference in residential area, and the customer should take remedies to eliminate the interference at their own costs. If the product causes any harmful interference to wireless equipment or disturbs the receiving of TV signals (it can be identified by turning on and off the product), you can solve the trouble by following methods:

- (1) Re-adjust the product or put it in another place;
- (2) Extend the distance between the equipment interfered and the product; and
- (3) Refer to dealers or experienced radio electrician for help.

CE Notice

This product complies with standards including Low Voltage Device Directive 73/23/EEC; **EMC** Directive 89/336/EEC and **R&TTE** Directive 1999/5/EC. It passed the subject tests by the authority concerned and is authorized to bear **CE** mark.

Menu Screens

System Setup: Use the up down buttons to highlight the setting you wish to change, then use the left and right buttons to change the setting.

Date: Adjust the date format and set the date.

Time: Adjust the current time in 24hour format (military time).

System Format: Set the TV signal to be PAL or NTSC. Default is set to TV standard of country of sale.

System ID Number: Feature not used.

Key Lock: Lock all Buttons except Menu Button.

Factory Reset: Reset all settings to Factory Default.

Display Setup:

Display on Screen: Place a tick to display each of these ~ Title - Date - Time.

Screen Position: Move the image on your screen left or right.

Border Color: Change the color of the border between the screens.

Auto Sequence:

Page A: Set the length of time (in seconds) the screen pauses.

Page B: Set all cameras to SKIP. * Not used on this model

Camera Setup:

Camera: Select the camera that you are going to modify the settings on

Title: Change the name of the camera on the main screen.

Brightness - Contrast - Saturation - Hue - Sharpness: Change the settings for the image produced by the selected camera.

Mirroring: Flip the image horizontally (text will appear reversed).

Motion Setup:

Camera: Select the camera that you are going to modify the settings on.

Detection Time: Set the operating time for motion detection.

Sensitivity - Velocity: Set the amount and speed of movement to trigger event.

Masking Area: Select the area of the image to be monitored for movement.

Event Setup:

Buzzer/Report Control: Set whether the buzzer activates for these events.

Buzzer Hold Time: Set the duration of the beeper sound for each event.

Report Hold Time: Set the time the camera remains on screen after an alarm.

Alarm Polarity: Set for input polarity of alarm connected to alarm port.

* Not used on this model

Event Report:

x/6 PAGE: Select page of event report to view.

List Clear: Clear entire list of event reports.

Simple Connection Instructions


Please refer to the **connection** and **panel diagrams** below and over the page for more information:

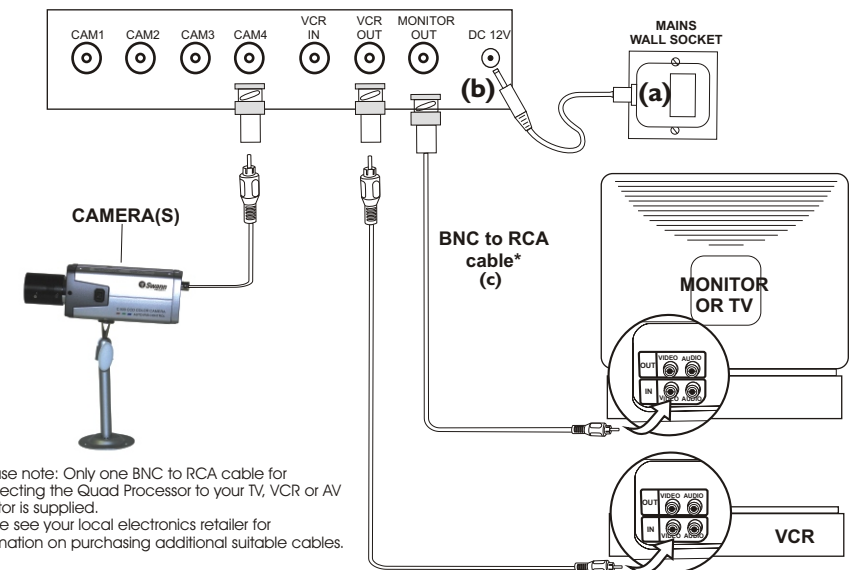
Connect the cable from the DC 12Volt power supply(a) to the DC 12Volt socket(b) on the rear of the unit.

Connect your cameras to the **Video In** sockets (**CAM1 - CAM4**) on the rear panel of the unit. If your camera has RCA male plugs, you will first need to fit the supplied BNC to RCA adaptors to the **Video In** sockets and connect your camera(s) to each of these.

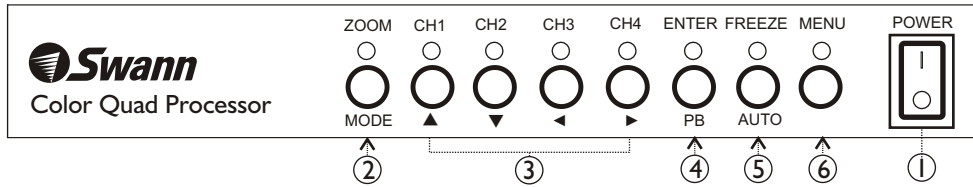
Connect the **BNC to RCA Cable (c)** (*only one supplied) to the **Monitor Out** connector. Connect the other end of the RCA cable to your **TV** or **Security Monitor's Video In** socket. Turn on the mains power to the 12Volt power supply(a) and follow the instructions in the operation section below on the following pages.

If you have an **A/V TV** with RCA sockets you will need to switch the **TV** to the **AV** channel to view the quad processor.

To view the quad processor connected to your **VCR**, you will need to select the AV input you have connect the quad processor to on the **VCR**, turn your **TV** onto the channel you would normally use to view a tape or movie on your **VCR**. This channel may be activated by a button on your remote that is marked with this symbol , or L1 or L2 or possibly AV1 or Av2.



Operation - Front Panel



Please refer to the panel diagram above for additional information.

(1) Power Switch - Press to turn the unit on.

(2) Zoom/Mode Button - Press this button for less than 1 second to switch through the different screen modes ~ 8 screens - 2 x Picture in Picture - 1 x Picture in Picture - Split Screen. When in Picture in Picture or Split Screen mode, press the Enter Button to enable configuration mode. Once in configuration mode press the Up and Down buttons to select one of the channels you are viewing, then press the Left or Right button to make changes. You can change which camera appears in which box, and also where the PiP boxes appear on the screen. Press the Enter button again to save your settings when you have finished. To enter & exit the ZOOM mode, press this button for longer than 1 second. Once in configuration, use the UP/DOWN & LEFT/RIGHT buttons to move the zoom box, then press ENTER button to view zoomed area.

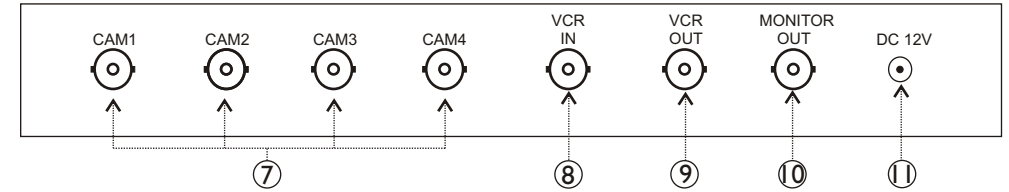
(3) Channel 1, 2, 3 and 4 (Left, Right, Down and up) Buttons - Press the Channel Buttons to view each camera independently in full screen mode. Use the UP/Down buttons to navigate the Configuration Menu and the Left/Right buttons to change the highlighted setting.

(4) Enter/PB Button - Press this button for longer than 1 sec to switch to VCR Playback mode. To use VCR Playback mode effectively you must have a cable connected from your VCRs Video Out to the VCR In Socket (8) and the VCRs Video In to the VCR Out Socket. While in VCR Playback mode, press Play on your VCR to see the recorded footage play on your TV or Monitor. Press any of the channel Buttons to show that channel in full screen mode.

(5) Freeze/Auto Button - Press this button for less than 1 second to Freeze the current image on screen. Press for longer than 1 second to start automatically switching between Quad Screen and Individual camera views. Press the button for less than 1 second twice to turn Auto Mode off, or press the Menu Button to return to the normal view.

(6) Menu Button - Press this button for less than 1 second to change back to quad screen mode from any other display mode. Press for longer than 1 second to enter and exit the configuration menu.

Operation - Rear Panel



(7) Channel 1, 2, 3 and 4 Video Input Sockets - Connect the BNC to RCA adaptor to each socket to which you will connect a camera that uses a Male RCA plug on the end of it's cable. If you are using a camera that comes with a cable that uses BNC connectors then you do not need to use the BNC to RCA adaptor for that camera socket.

(8) VCR In Socket - Plug the Video Out socket of your VCR into this socket to allow you to view individual cameras in Full Screen mode when playing recorded footage back.

(9) VCR Out Socket - Plug the Video In socket of your VCR into this socket to allow you to record footage to your VCR while you view the Quad Screen on your monitor.

(10) Monitor Out Socket - Plug the Video In socket of your TV or Security Monitor into this socket to allow you to view the video signal generated by the Quad Processor.

(11) 12Volt DC Power Socket - Connect the supplied Power Adaptor to this socket to power the Quad Processor. Use of Power Sources other than the one supplied will void your warranty.